

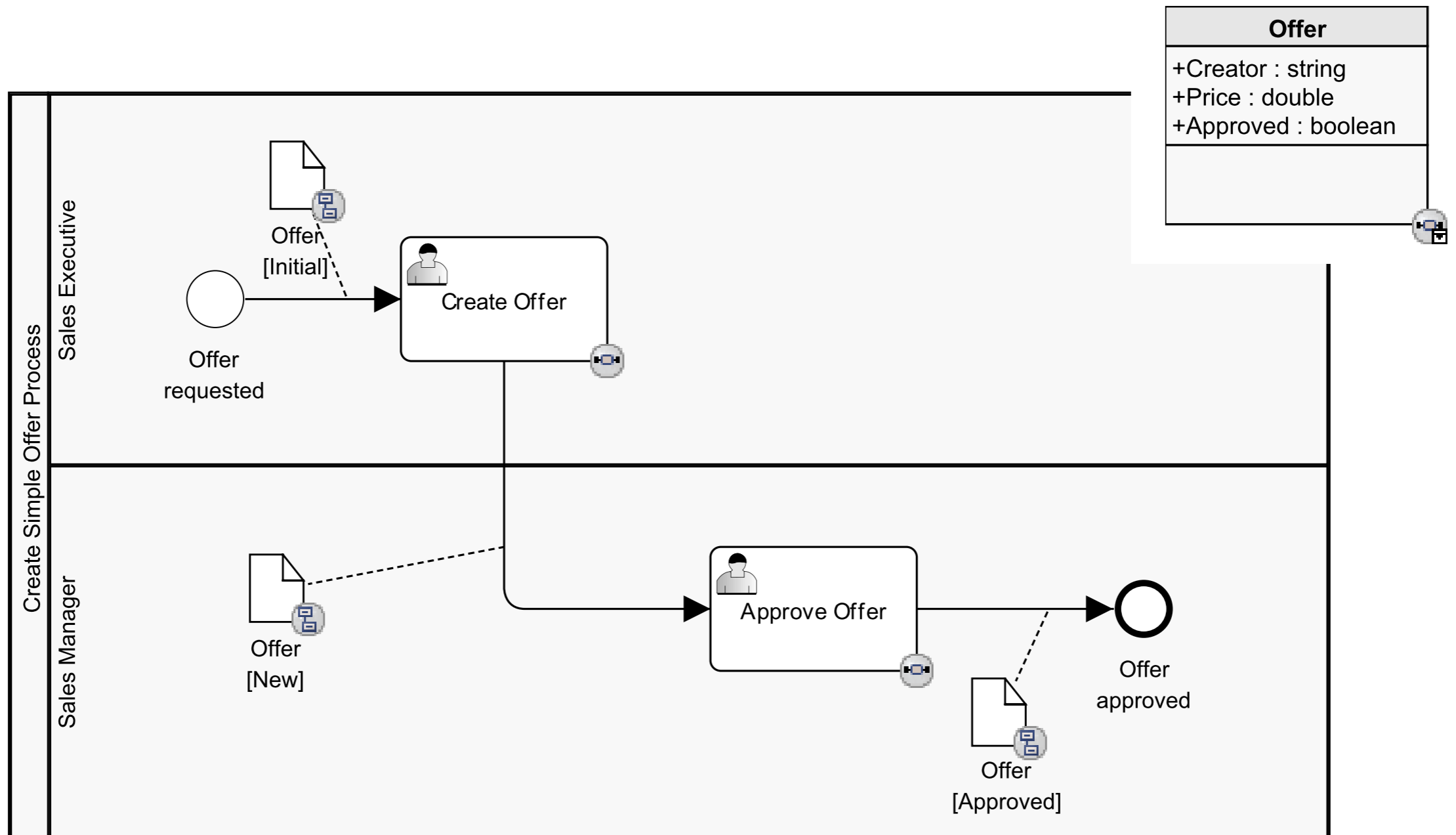
Production Case Management by Example

Frank Puhlmann

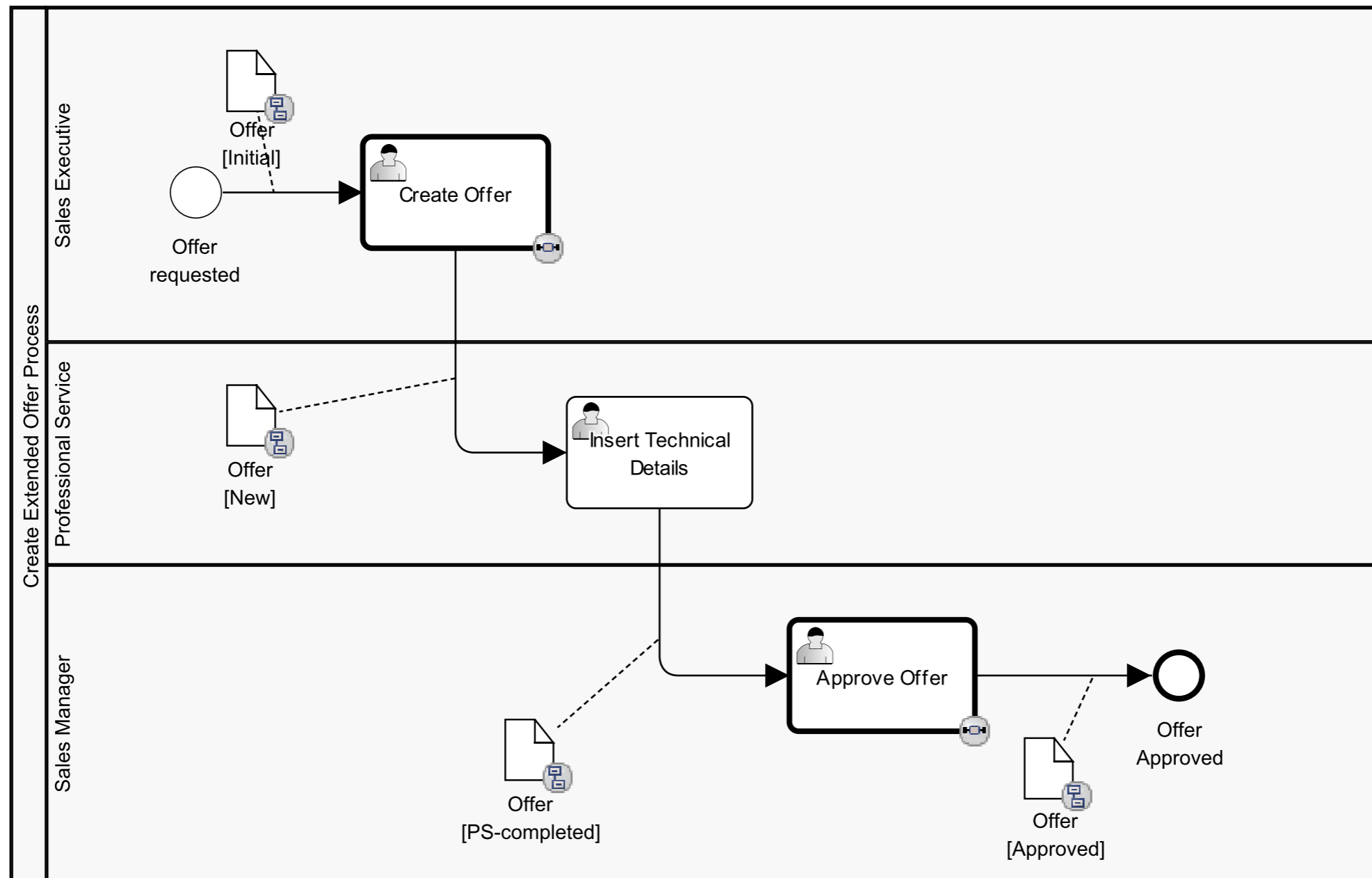
Idea

- Capture „Happy Path Process Fragments“ that describe a case from different viewpoints/ participants
- Use a case object with states to „tie together“ the different fragments
- Finally create a state-transition diagram between the case object's states and check for consistency

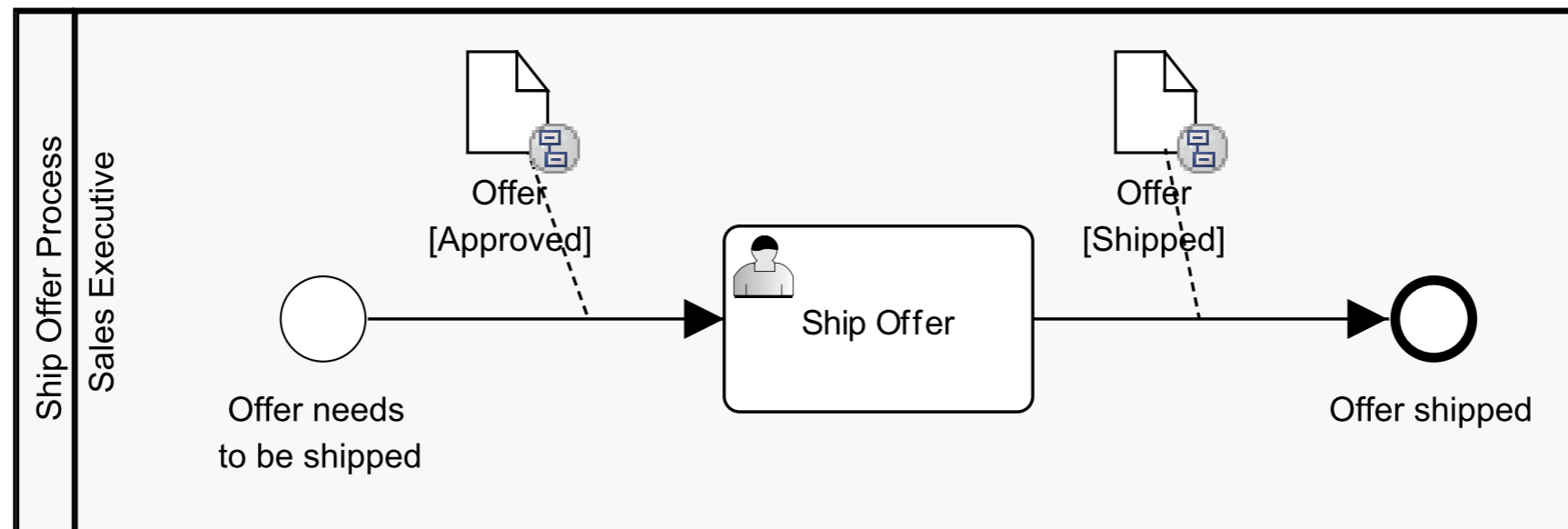
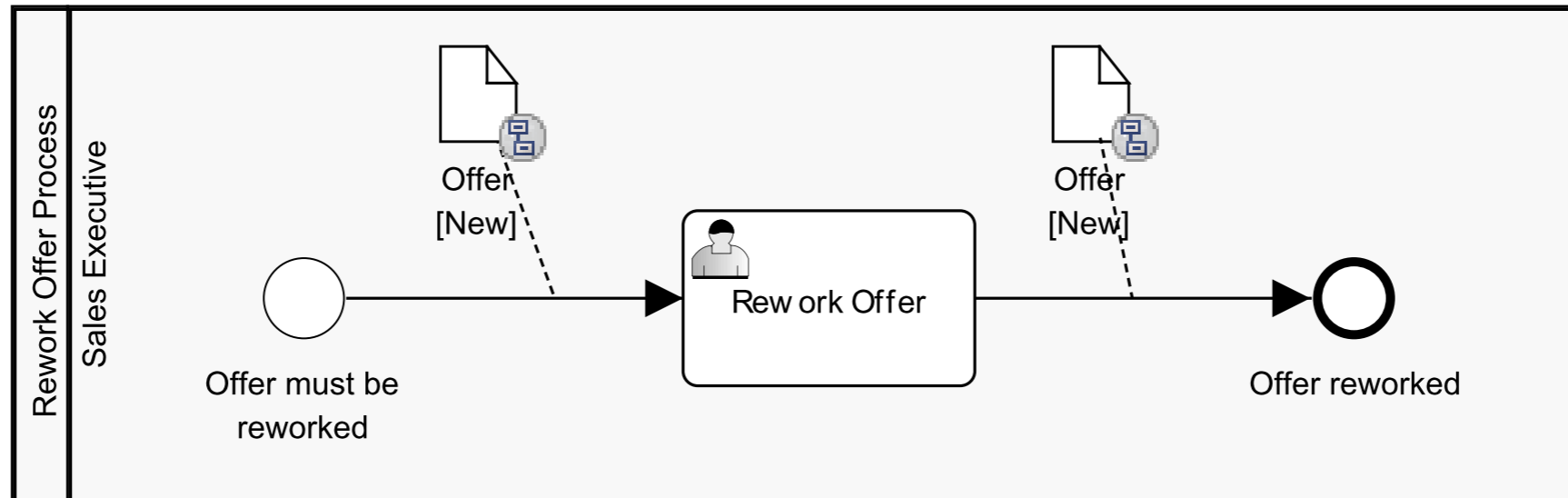
Simple Offer Fragment



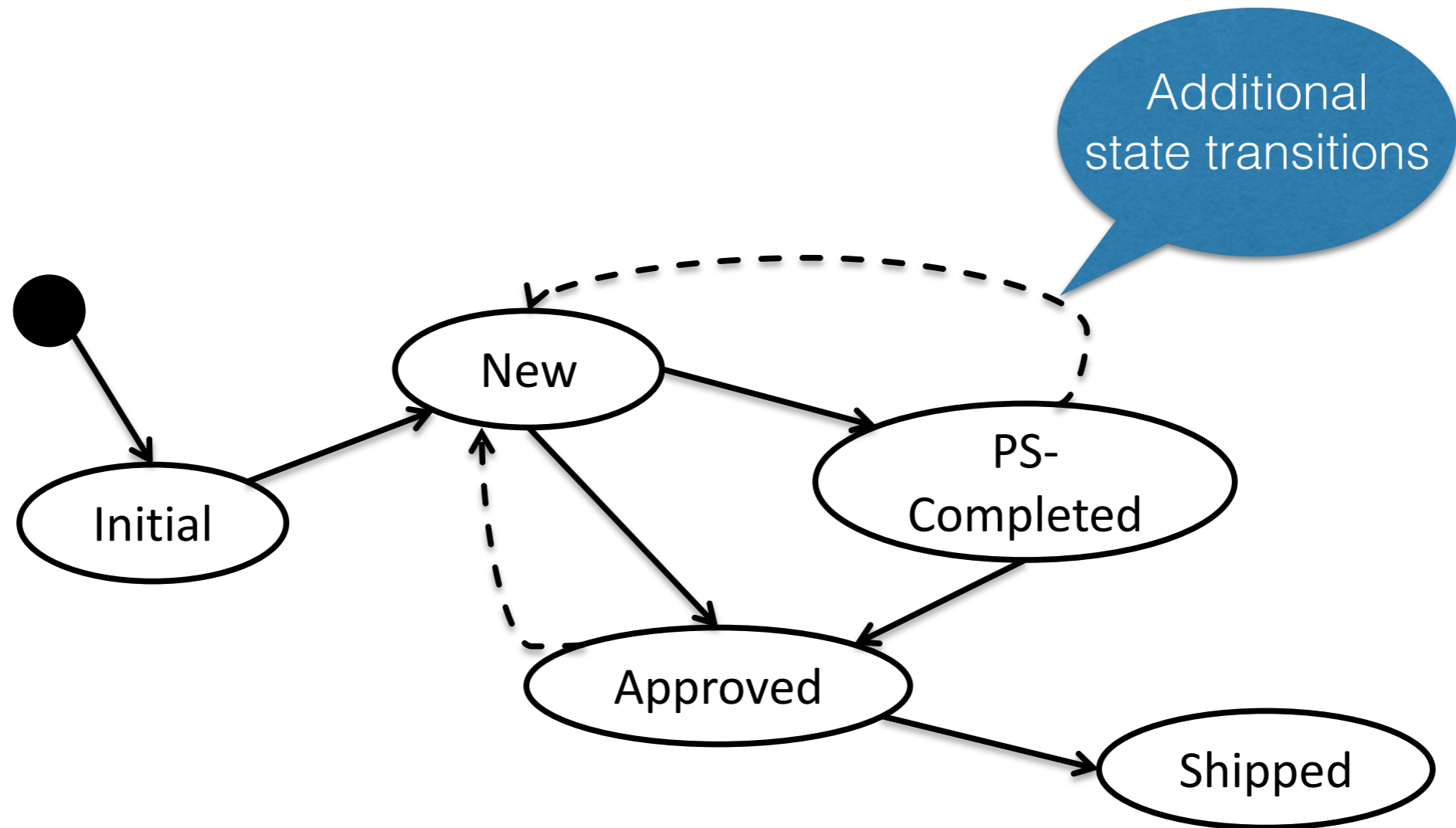
Extended Offer Fragment



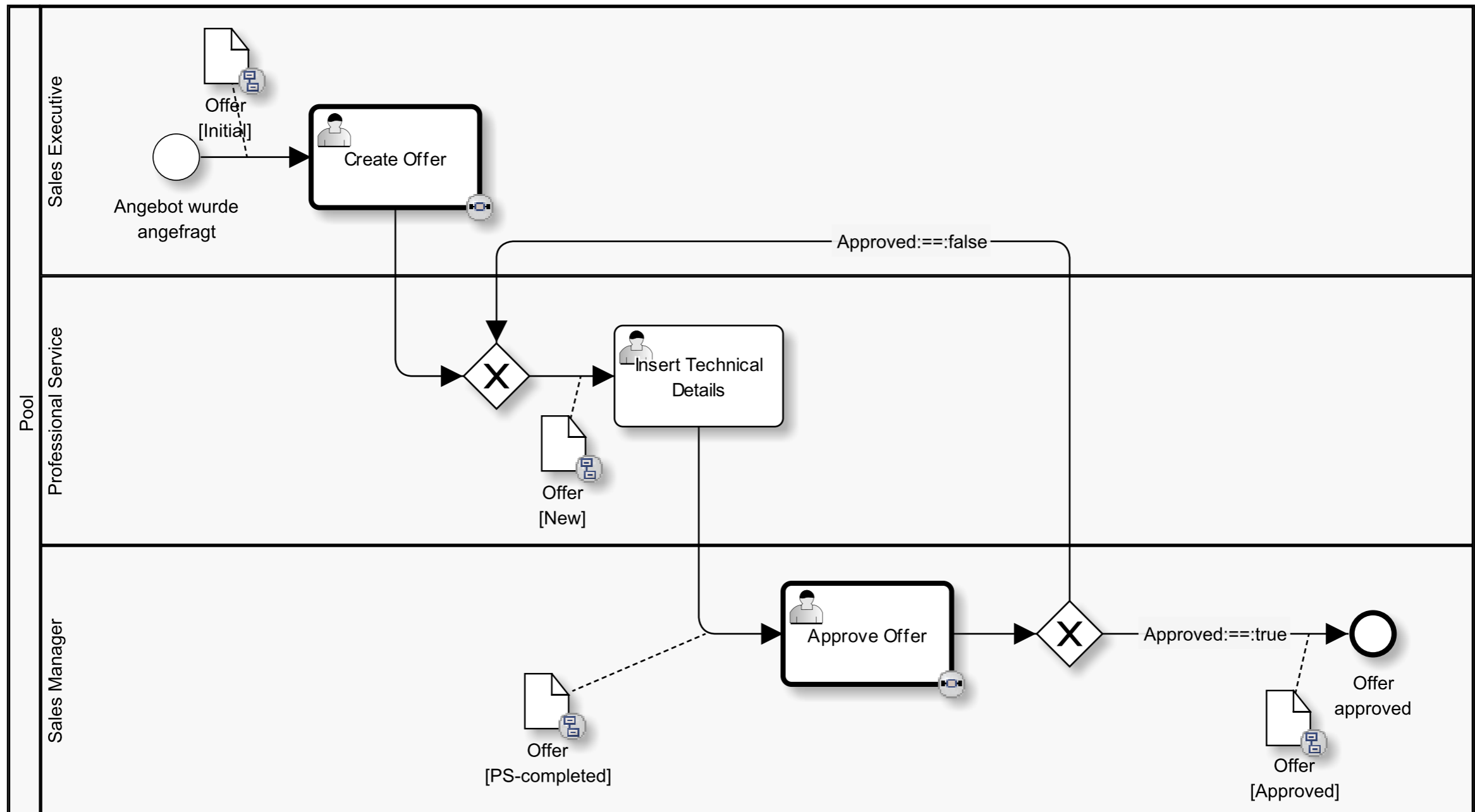
Additional Offer Fragments



Derived State Transitions



If you would explicitly model the loop back...



Next Steps

- Get a first idea with a Master Thesis from Jan Oehlert (in German): <http://frapu.de/pdf/oehlert2013.pdf>
- More theories in our IEEE EDOC paper written together with HPI: <http://frapu.de/pdf/edoc2014.pdf>
- HPI Bachelor project code on Github: <https://github.com/BP2014W1>